

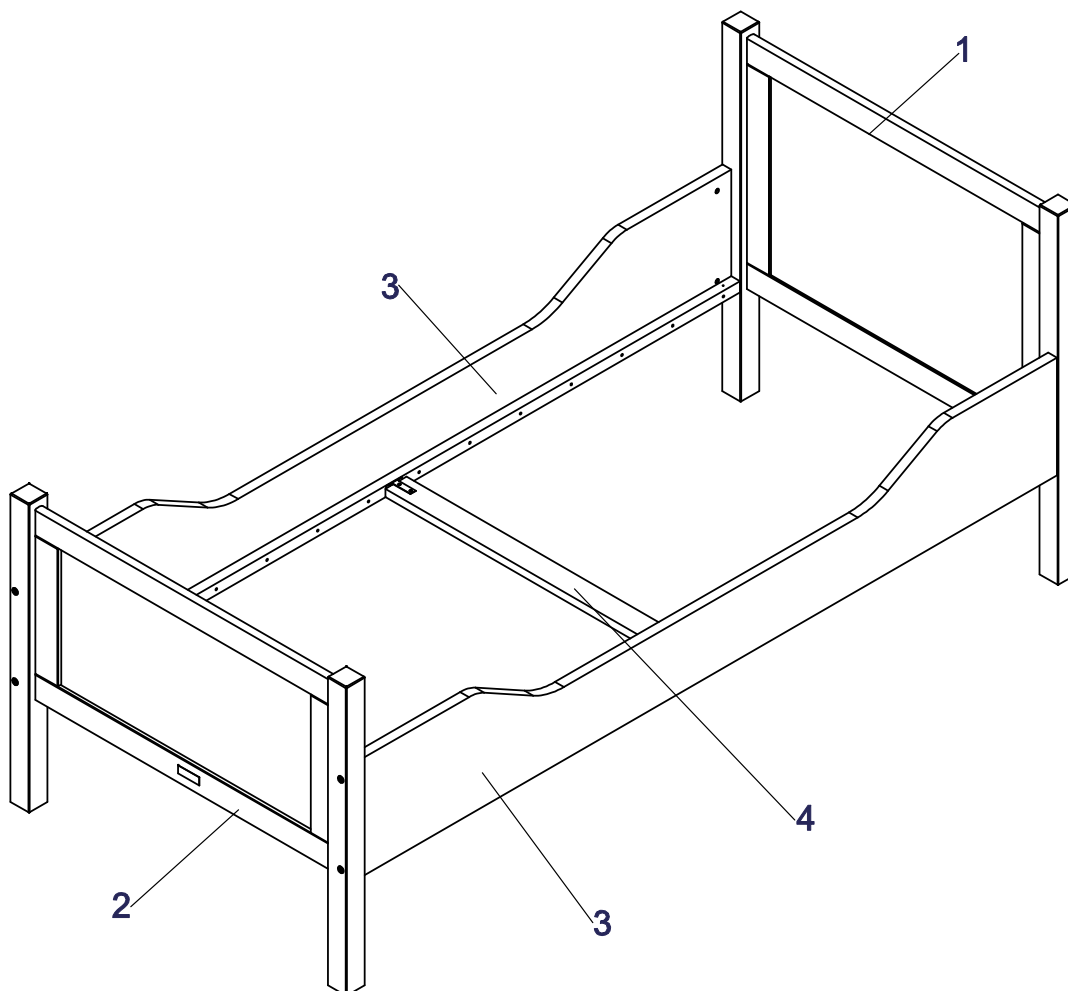
# bopita®

ASSEMBLY INSTRUCTION  
MONTAGE HANDLEIDING  
MONTAGE ANLEITUNG  
NOTICE DE MONTAGE  
MANUAL DE MONTAJE

UK  
NL  
D  
F  
ESP

MODEL  
TYPE  
COLOUR  
ART.CODE

:M&M  
:BED 90X200  
:WHITE  
:5446.11.







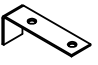
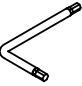


Distributor:

BOPITA  
Edisonweg 3, 6662 NW Elst  
The Netherlands

[www.bopita.com](http://www.bopita.com)

17.01.2008.

<p><b>A</b></p> 	<p><b>B</b></p> 	<p><b>C</b></p> 	<p><b>D</b></p> 	<p><b>E</b></p> 
<p>M6X100 8X</p>	<p>M6 8X</p>	<p>8X</p>	<p>3,5X25 4X</p>	<p>2X</p>
<p>artcode:441028</p>	<p>artcode:442004</p>	<p>artcode:</p>	<p>artcode:431008</p>	<p>artcode:446107</p>
<p><b>F</b></p> 	<p><b>G</b></p> 	<p><b>H</b></p> 		
<p>3,5X16 4X</p>	<p>2X</p>	<p>1X</p>		
<p>artcode:431006</p>	<p>artcode:446108</p>	<p>artcode:445001</p>		

