

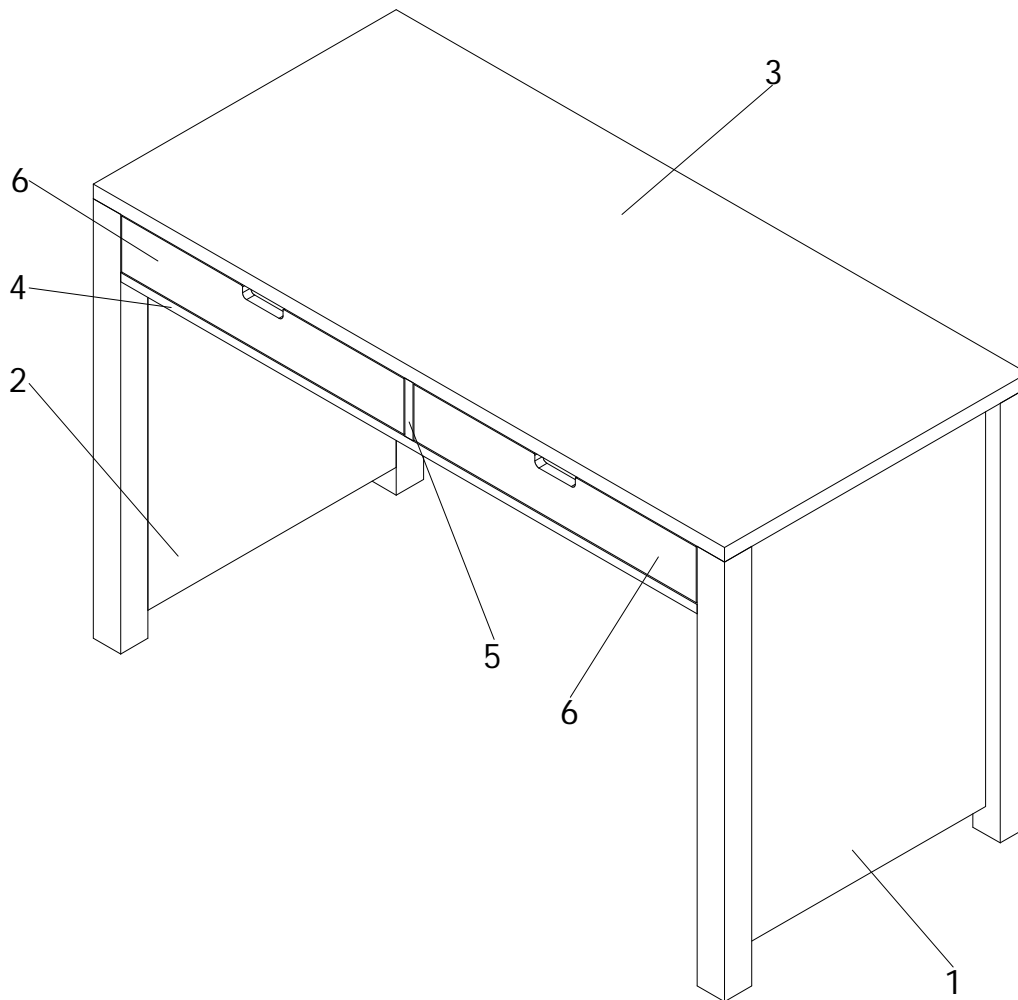
# bopita<sup>®</sup>

ASSEMBLY INSTRUCTION  
MONTAGE HANDLEIDING  
MONTAGE ANLEITUNG  
NOTICE DE MONTAGE  
MANUAL DE MONTAJE

UK  
NL  
D  
F  
ESP

MODEL  
TYPE  
COLOUR  
ART.CODE

:M&M  
:WRITING DESK  
:WHITE  
:3246.11.



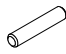





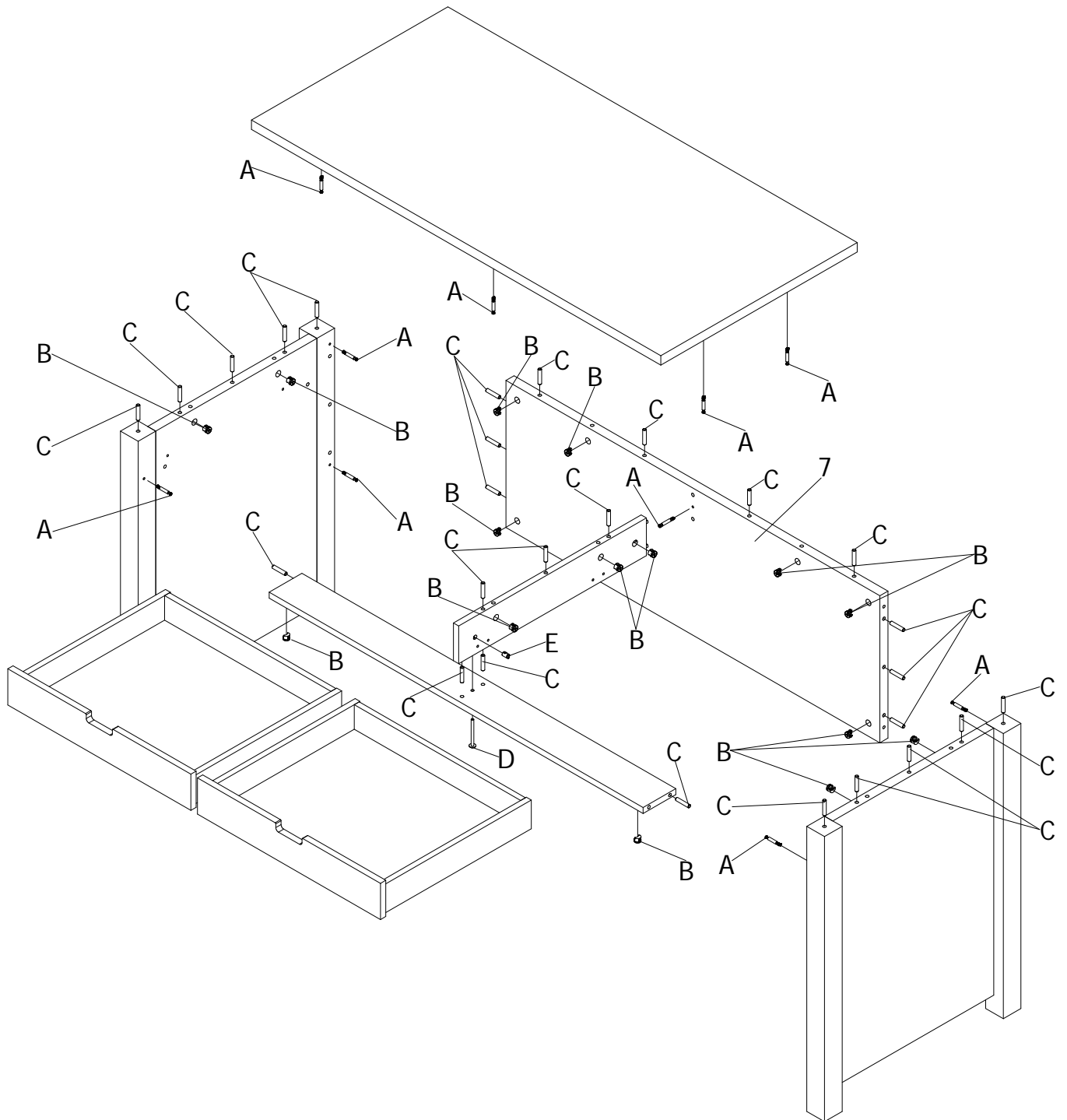
Distributor:

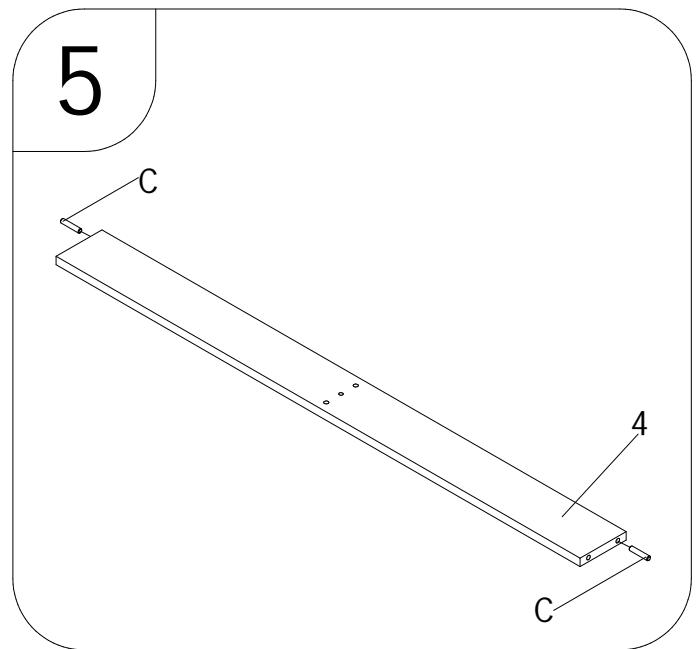
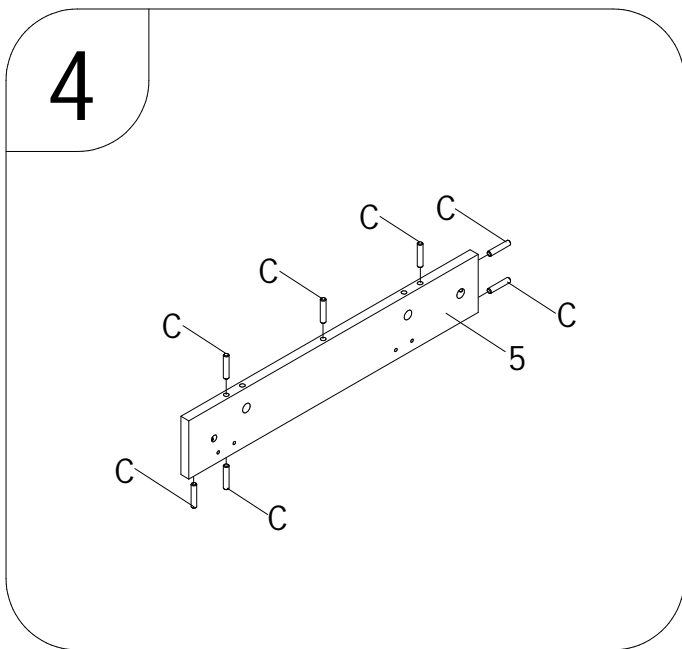
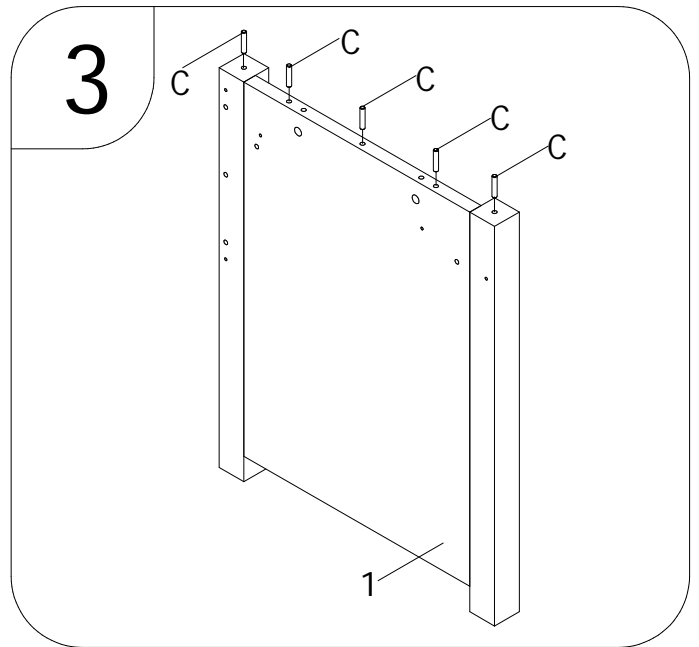
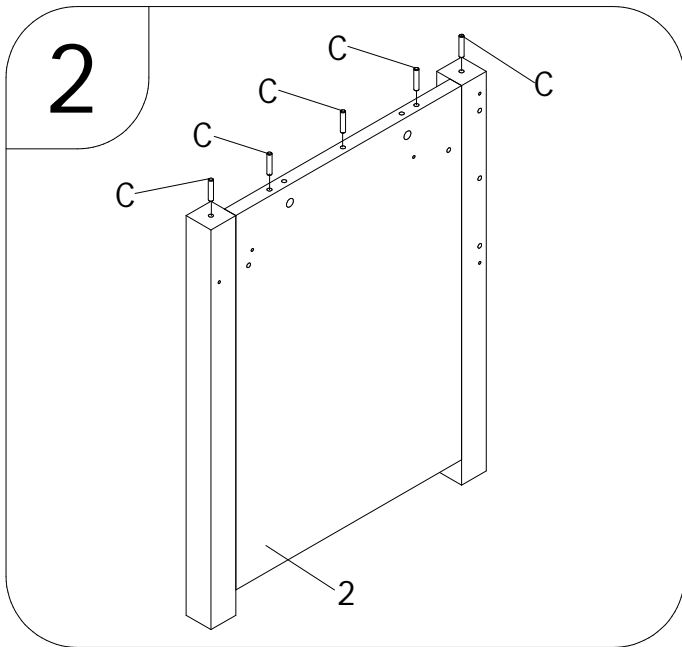
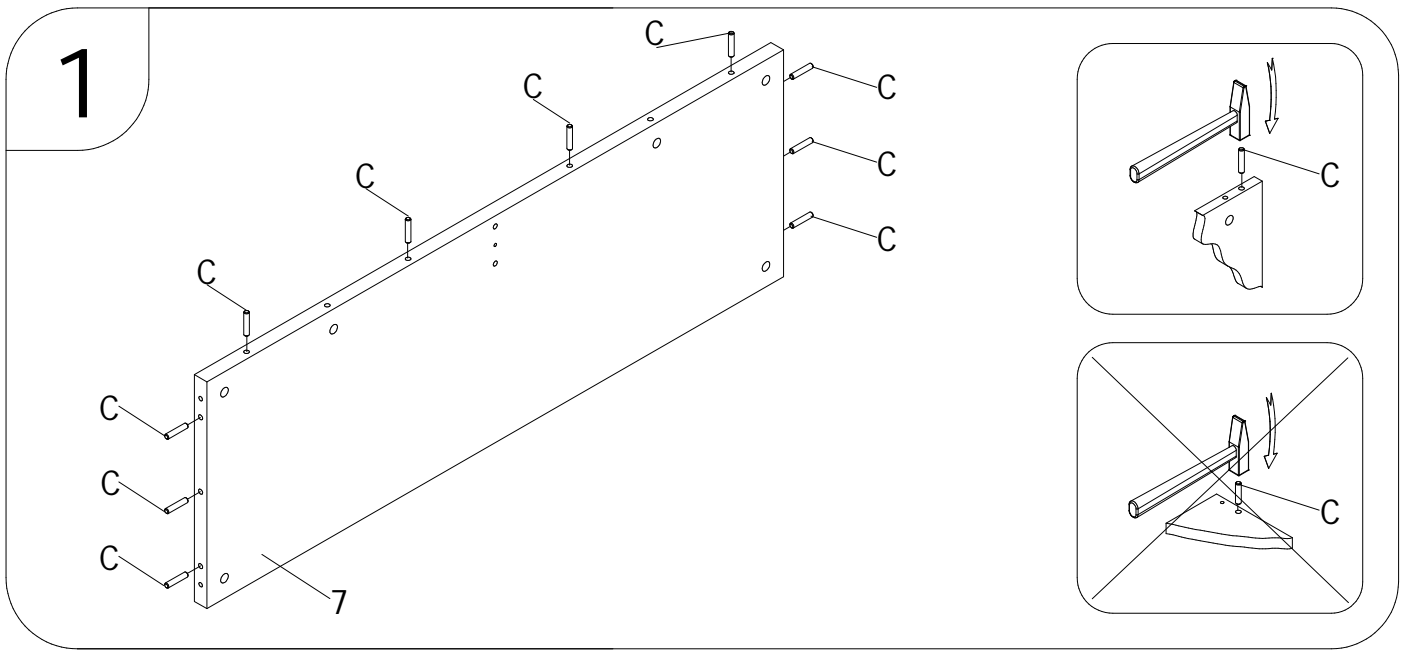
BOPITA  
Edisonweg 3, 6662 NW Elst  
The Netherlands

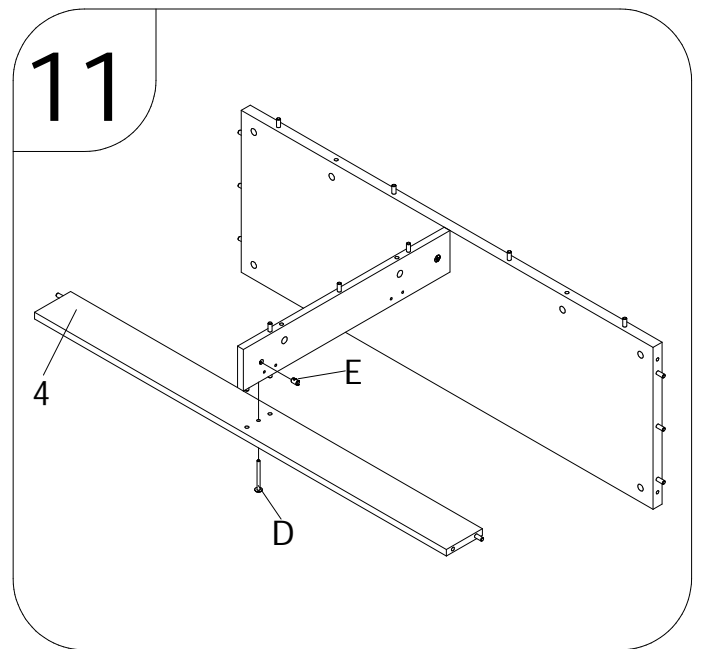
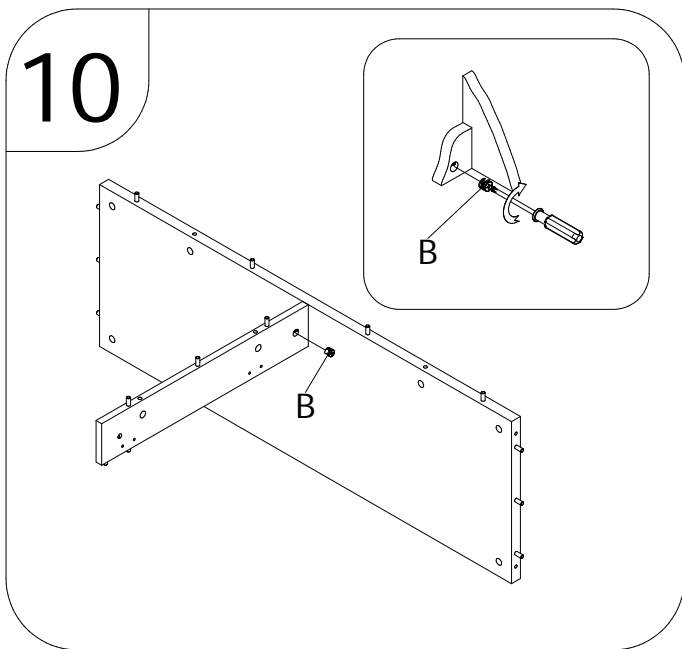
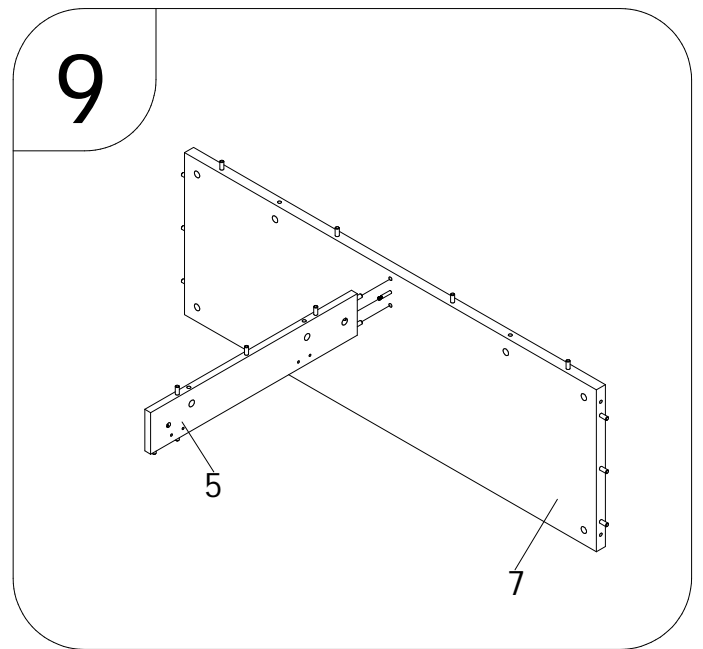
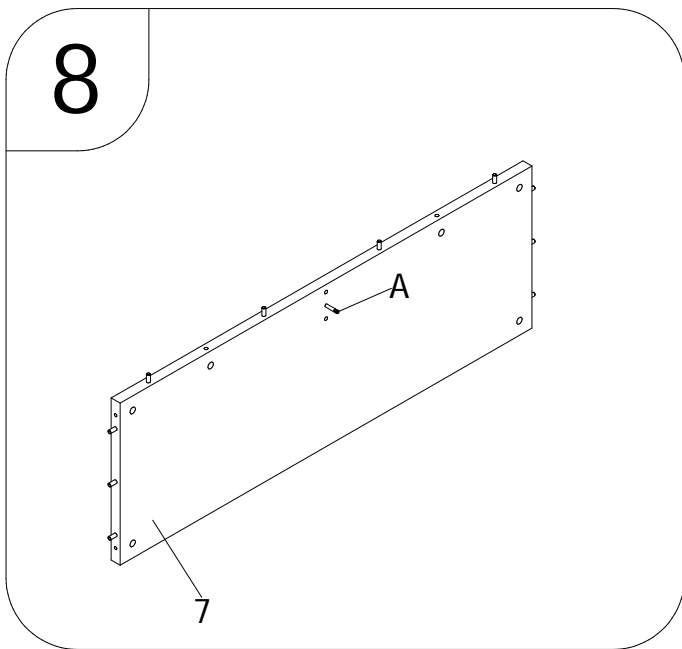
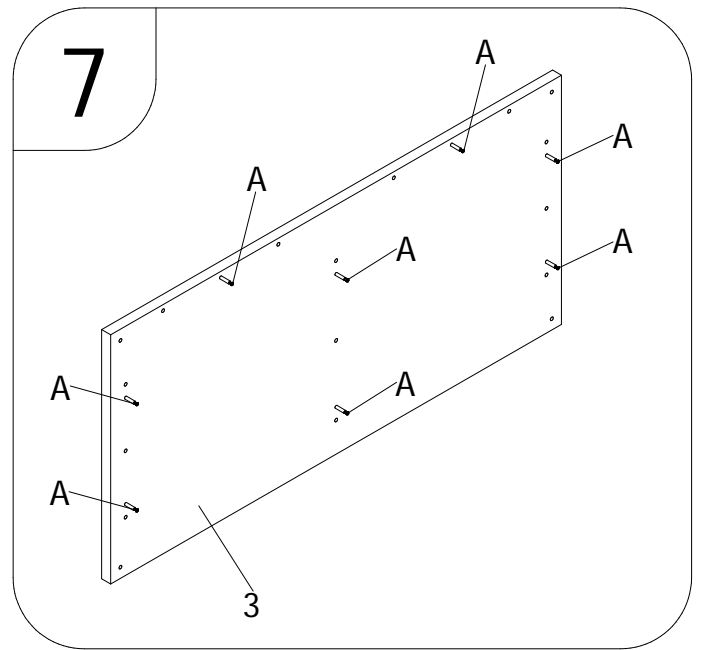
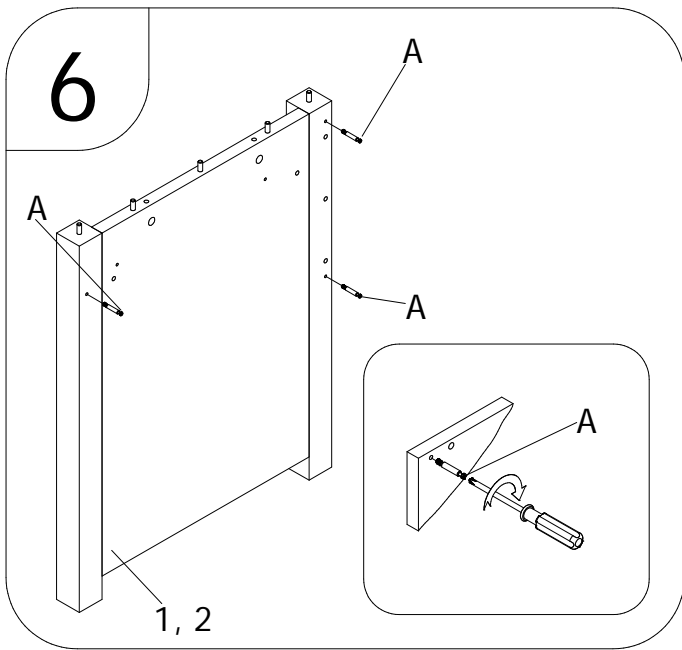
[www.bopita.com](http://www.bopita.com)

26.08.2009.

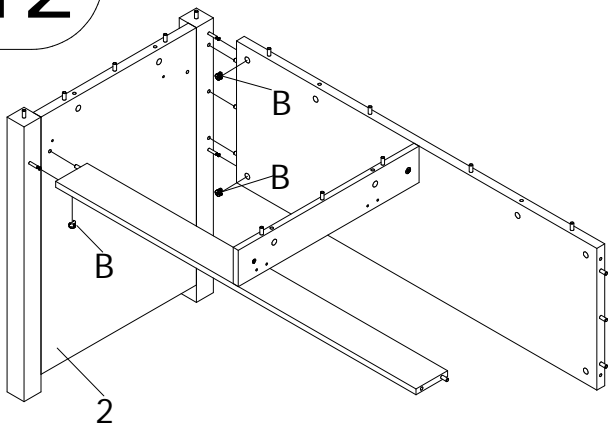
<p>A</p>  <p>15X</p>	<p>B</p>  <p>15X</p>	<p>C</p>  <p>Ø8X40</p>	<p>D</p>  <p>29X M6X70</p>	<p>E</p>  <p>1X M6</p>	<p>F</p>  <p>1X</p>				
artcode: 444003		artcode: 444005		artcode: 441019		artcode: 442003		artcode: 445001	



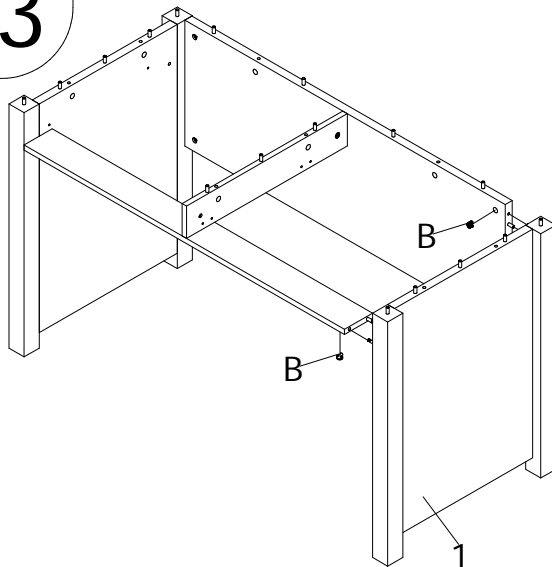




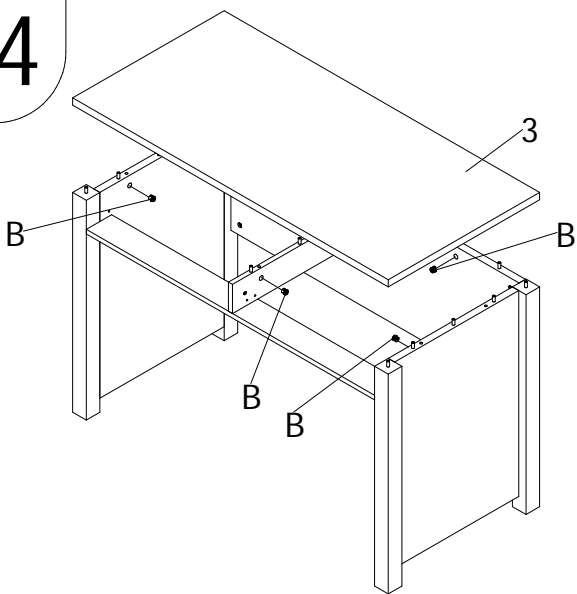
12



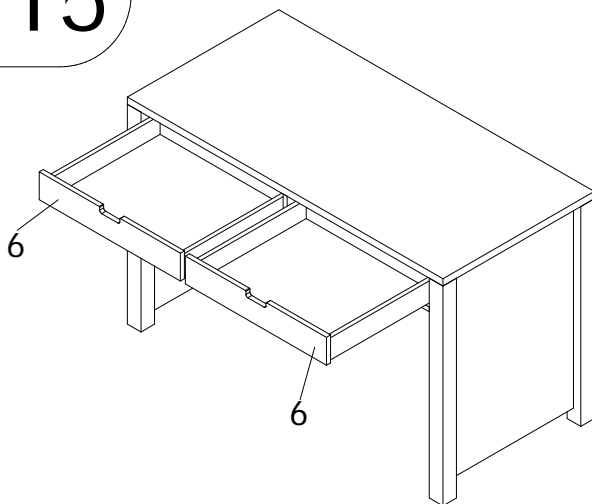
13



14



15



16

