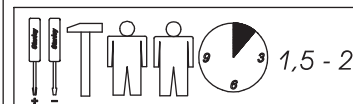
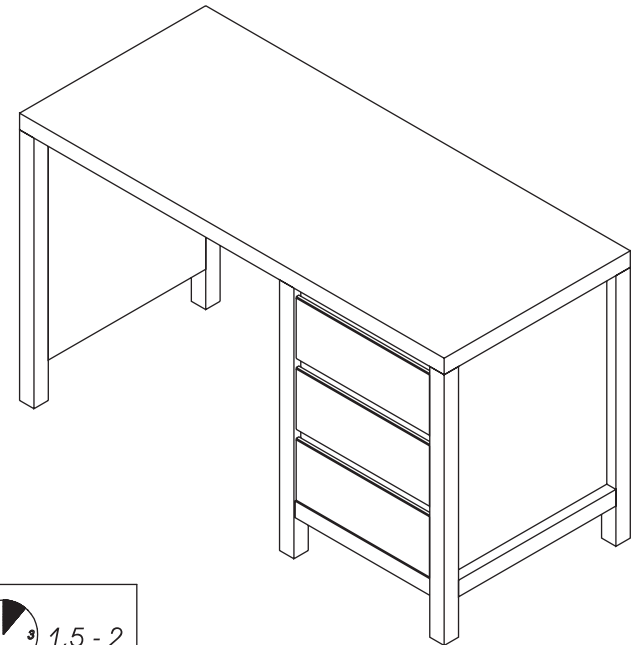


Manual instruction

Corsica

WRITINGDESK

322711



DISTRIBUTOR:

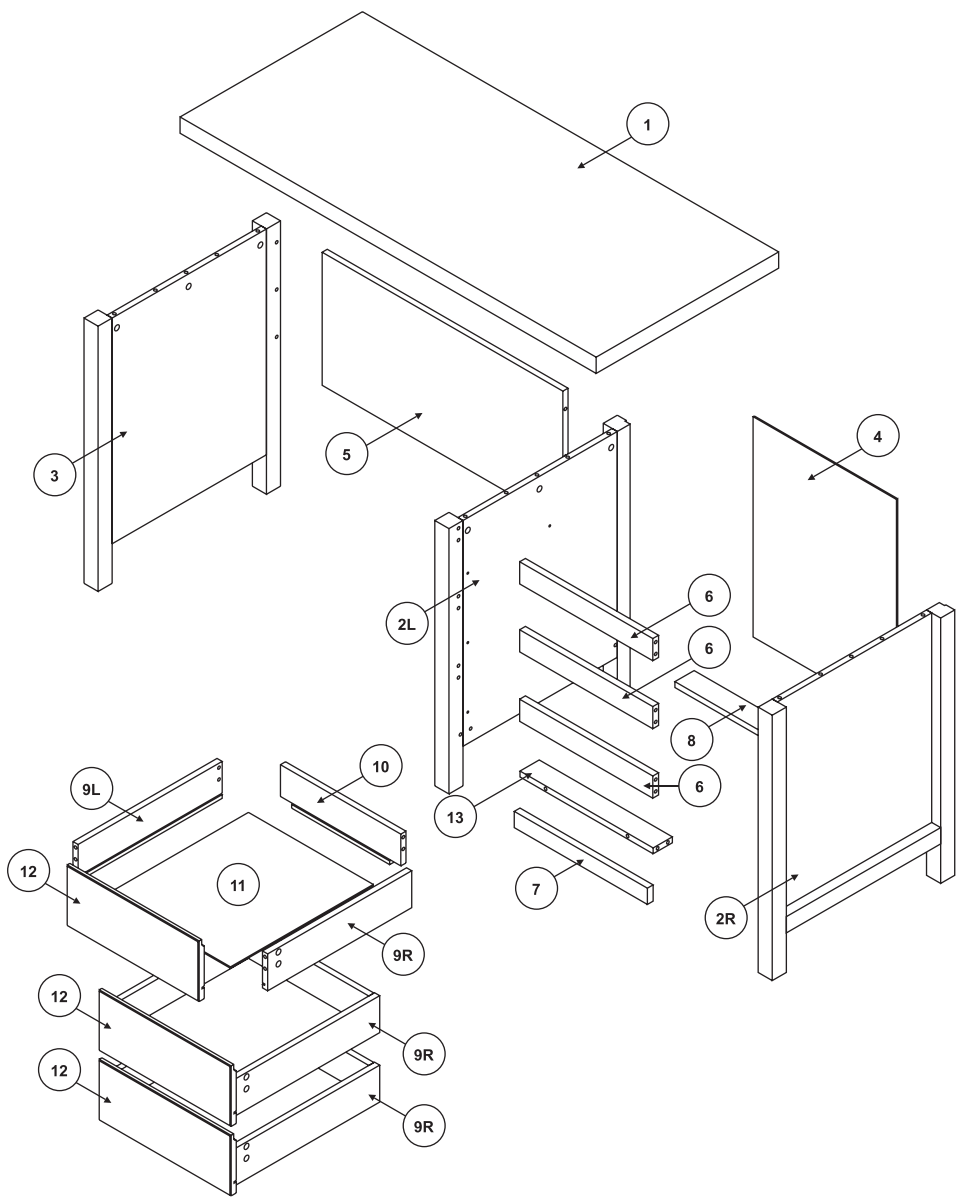
BOPITA

Edisonweg 3, 6662 NW Elst

The Netherlands

www.bopita.com

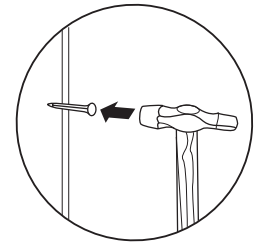
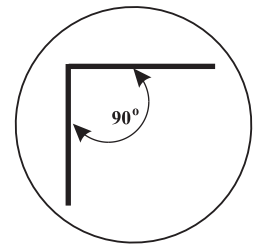
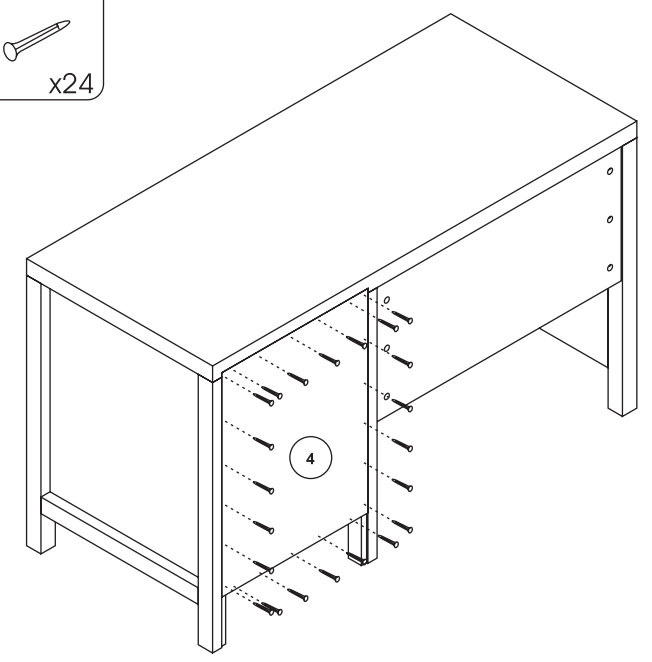
20.07.2009.



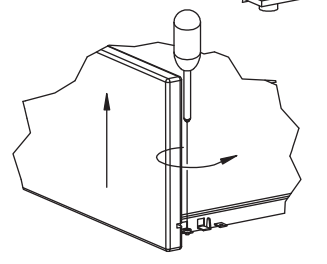
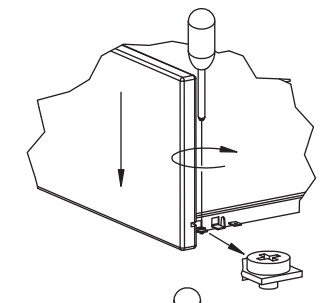
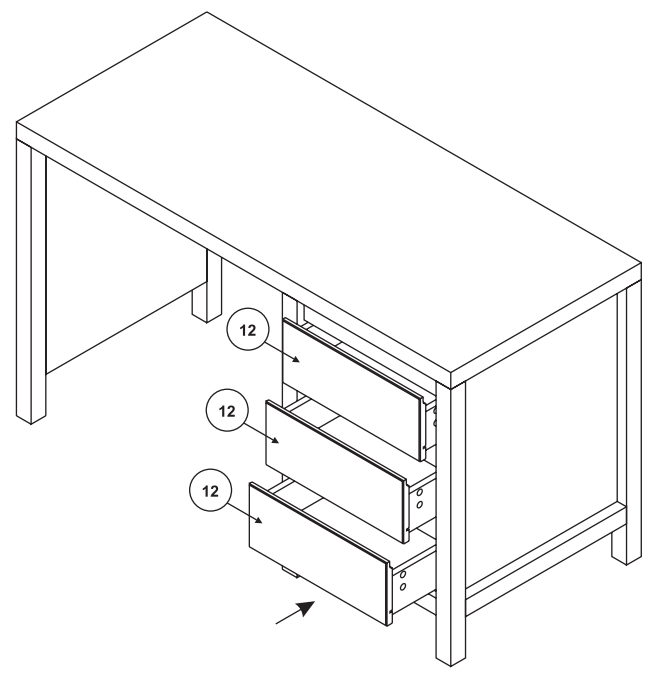
- | | | |
|-------------------------|-------------------------|-----------------------------|
| A
8x36
x16 | B
x51 | C
15x10
x51 |
| D
2x20
x24 | E
L=450
x3 | F
6,3x11,5
x12 |

2

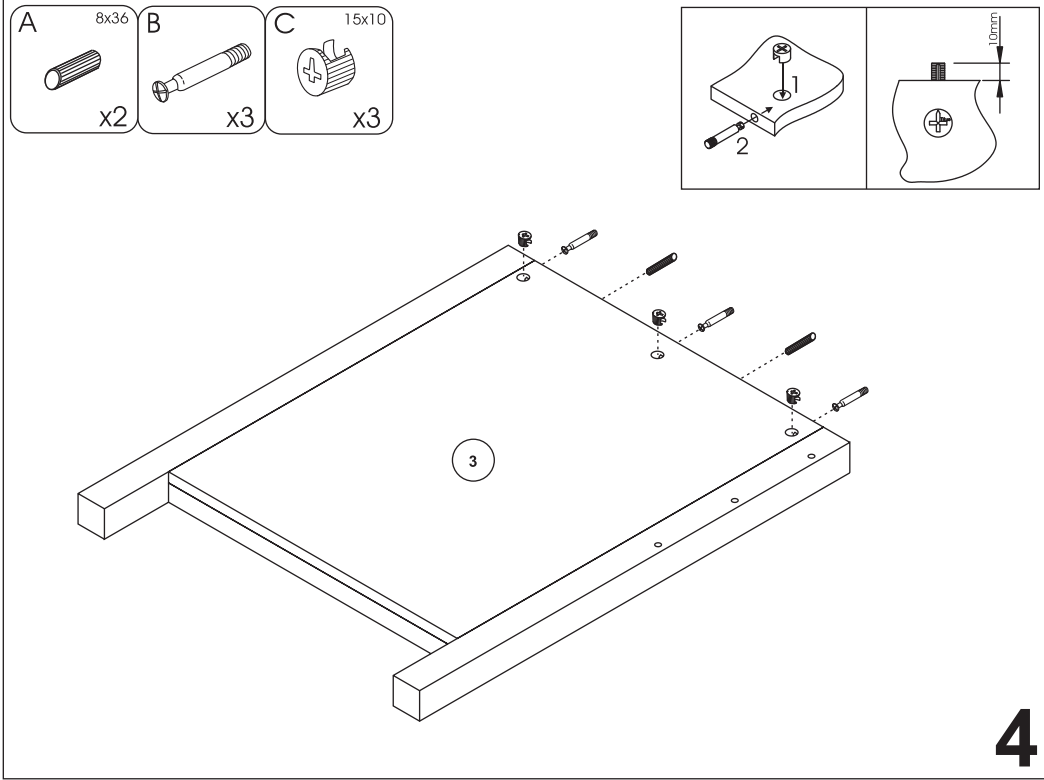
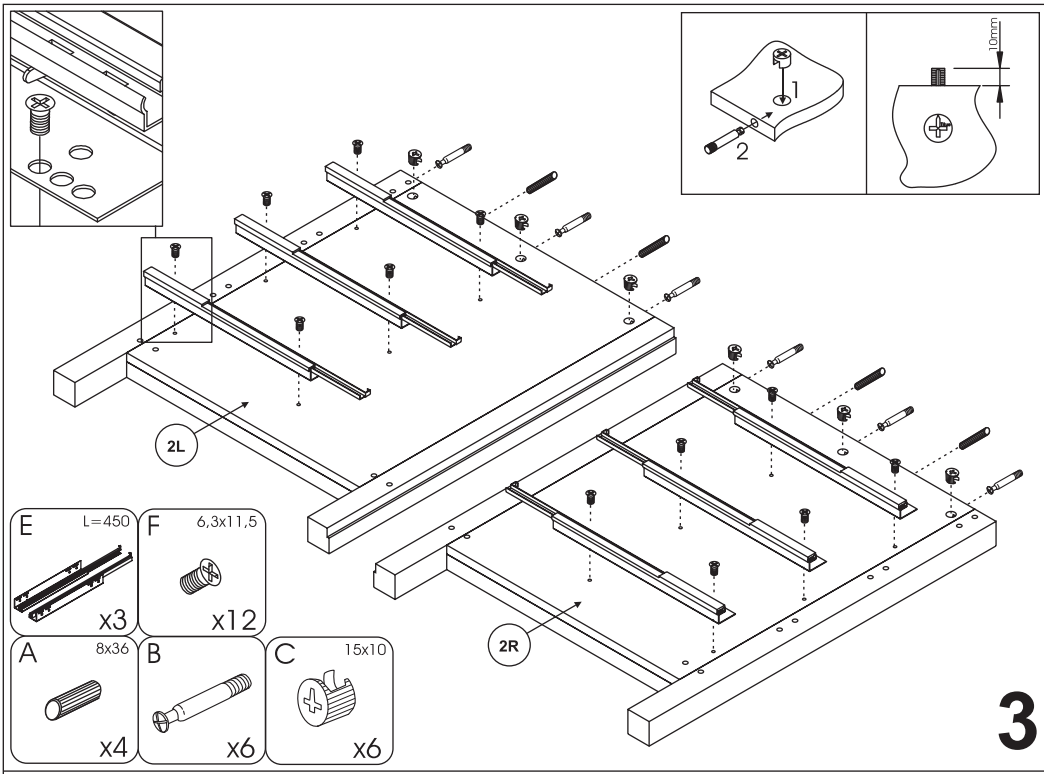
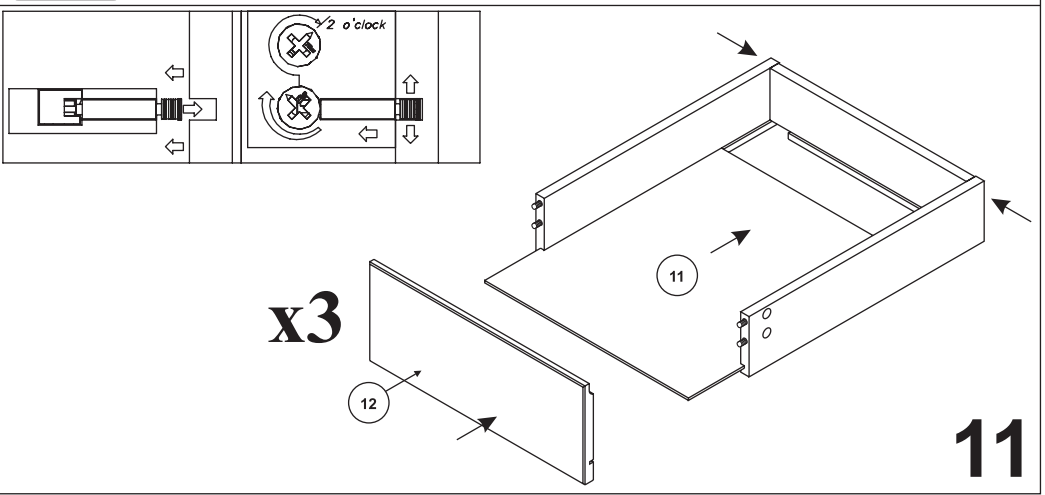
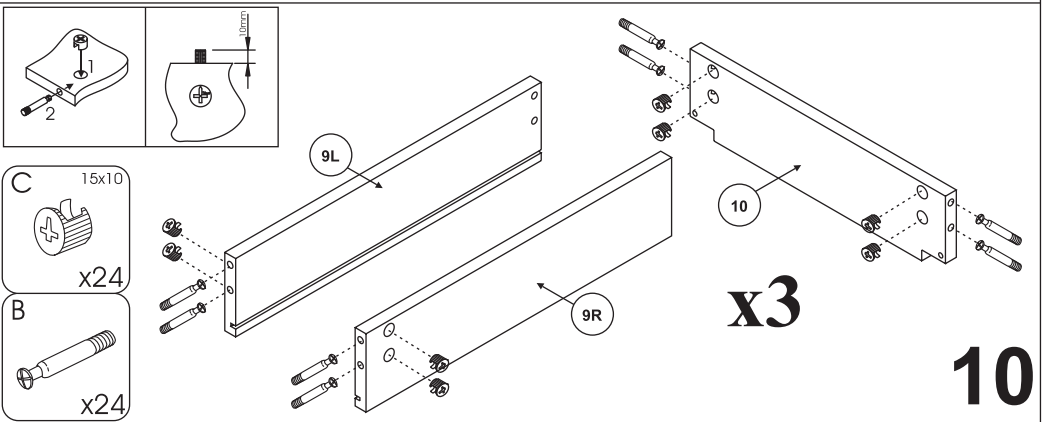
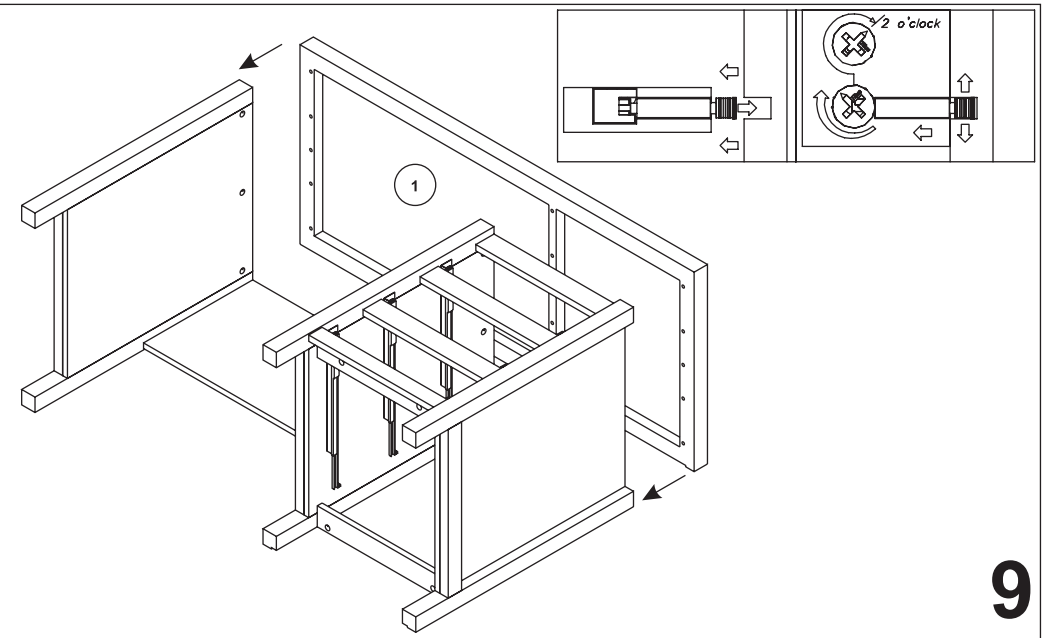
- D** 2x20
x24

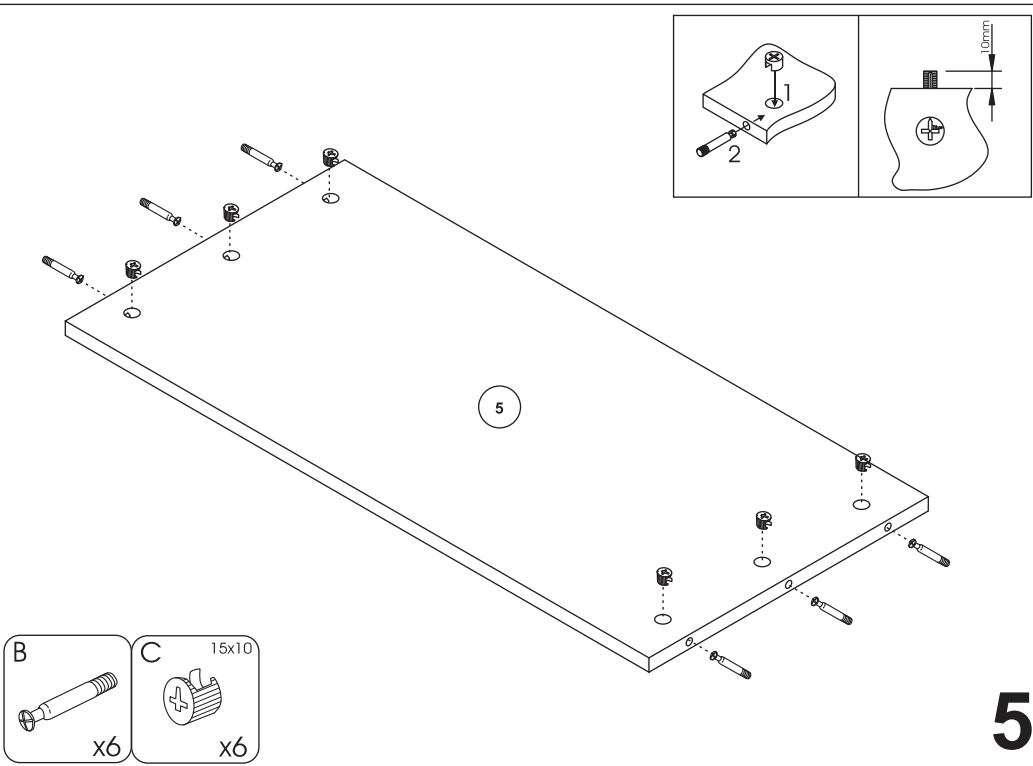


12

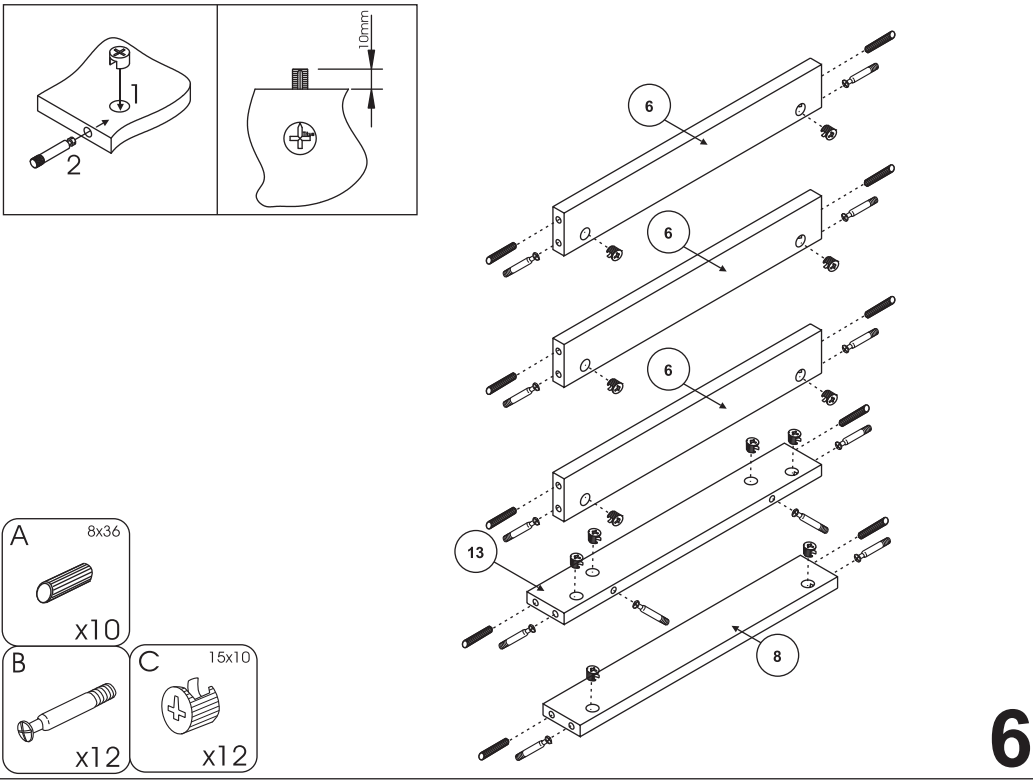


13

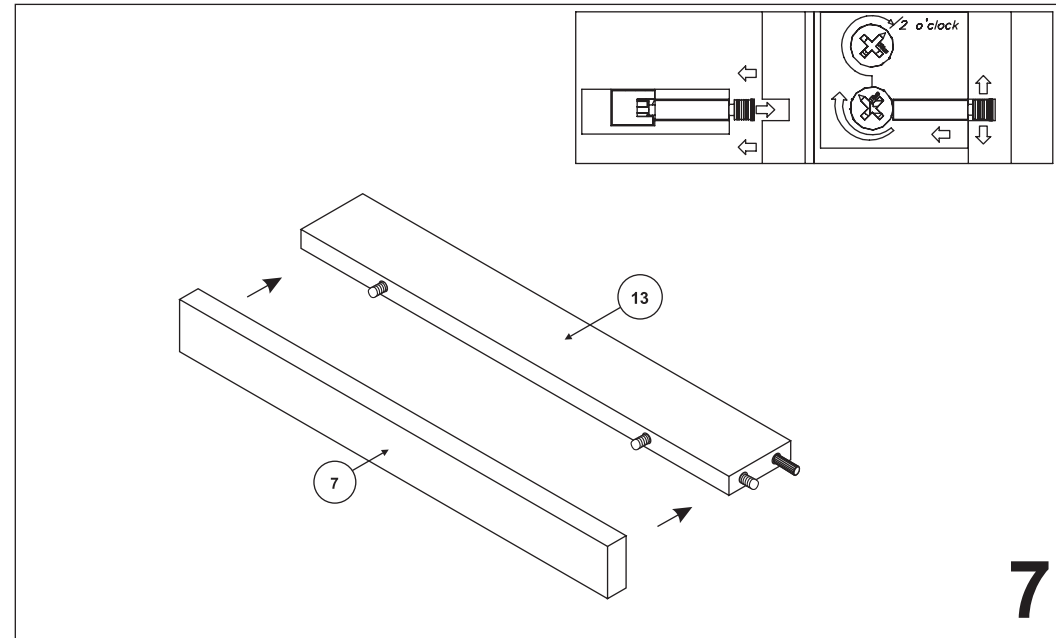




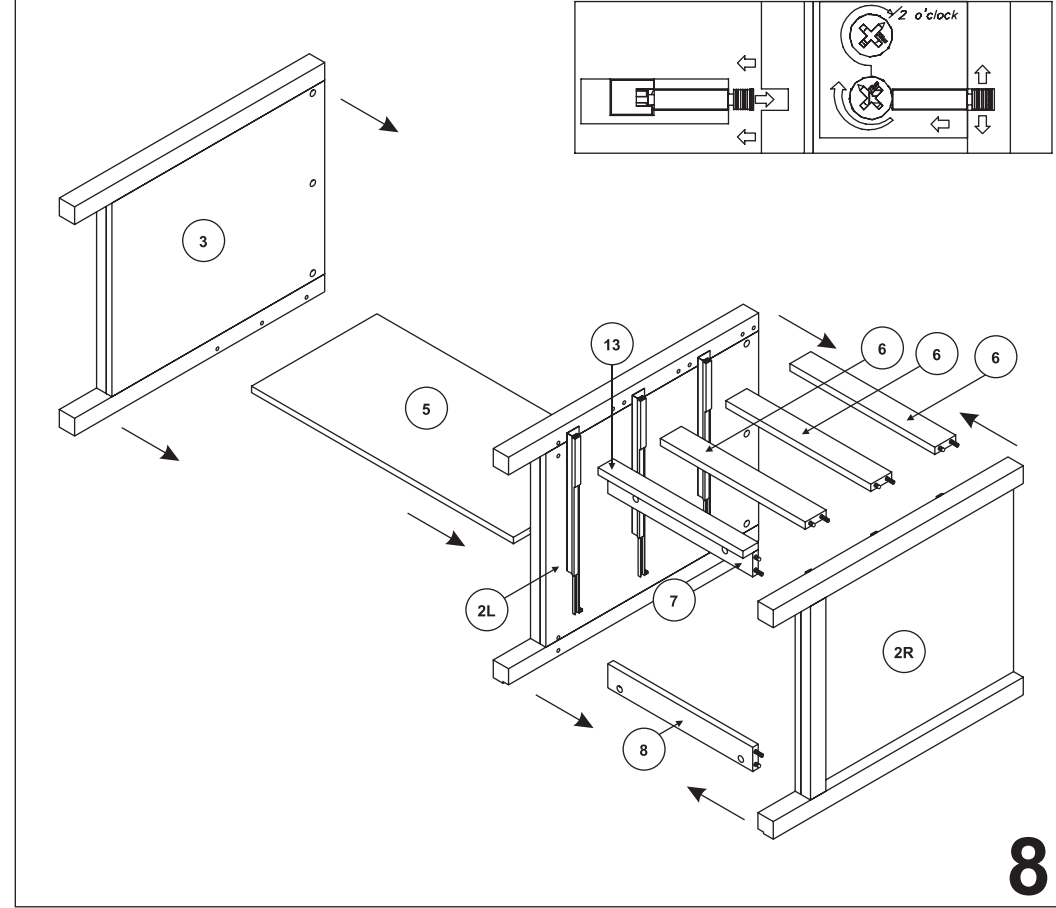
5



6



7



8