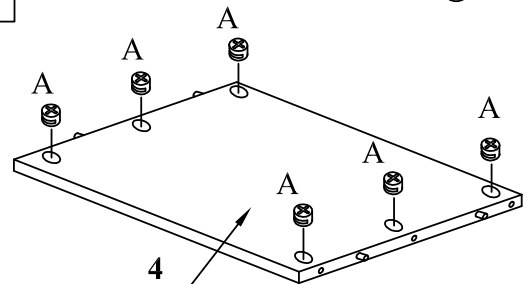
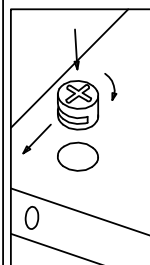
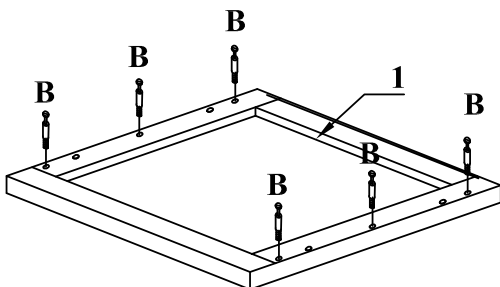
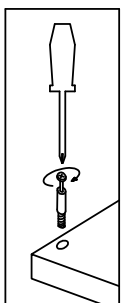
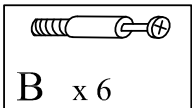
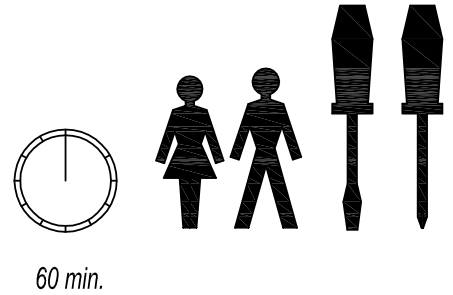
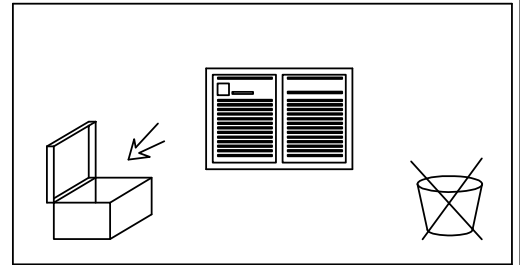
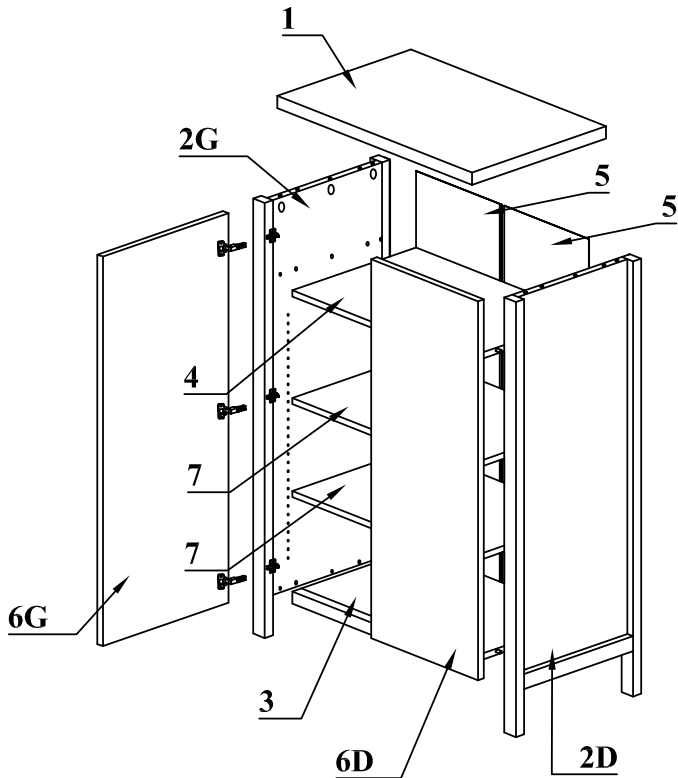
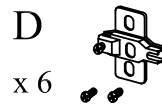
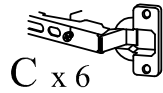
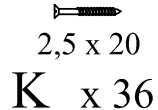
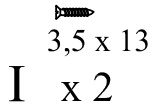
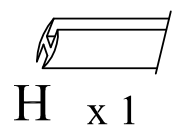
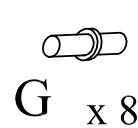
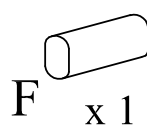
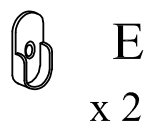
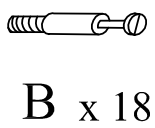
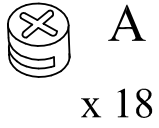
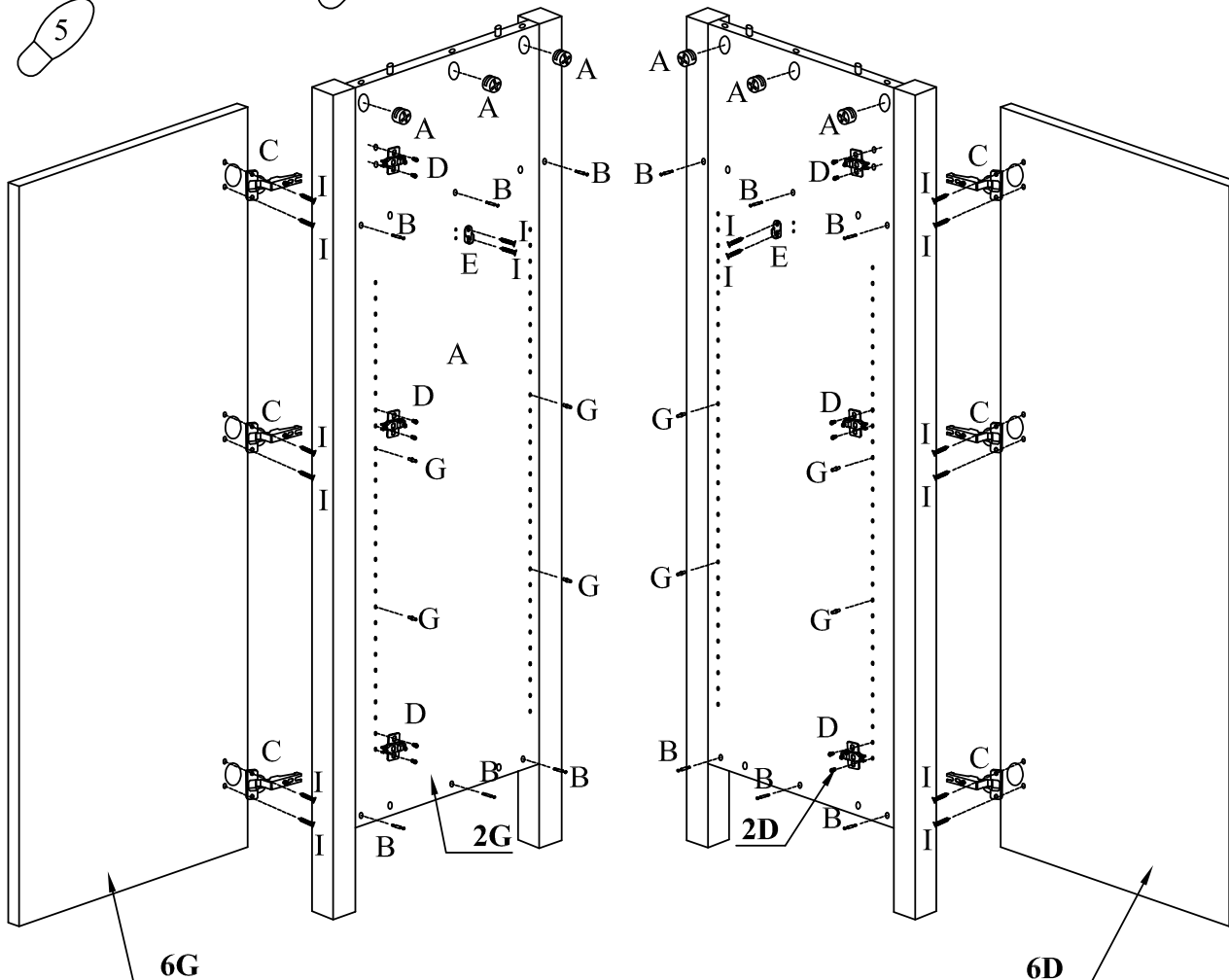
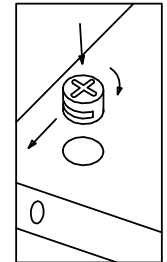
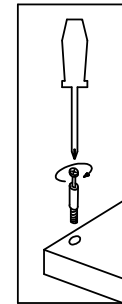
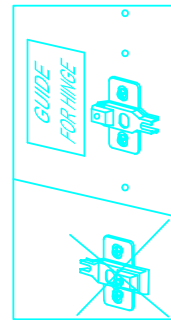
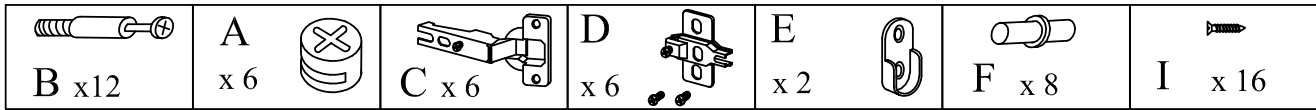
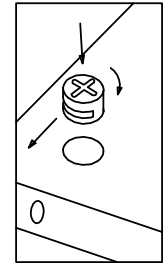
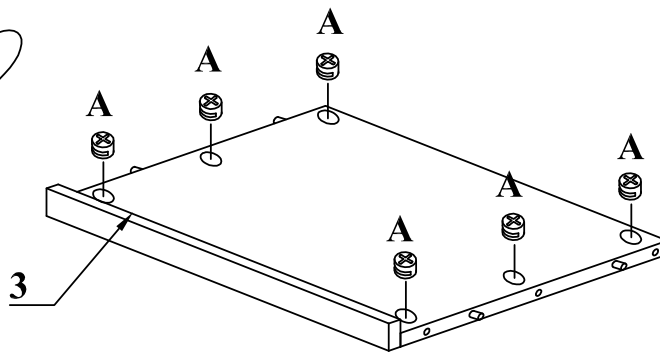
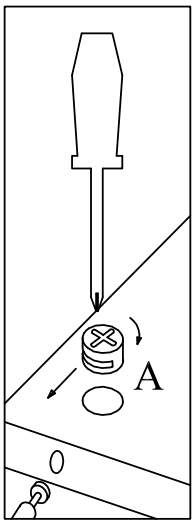


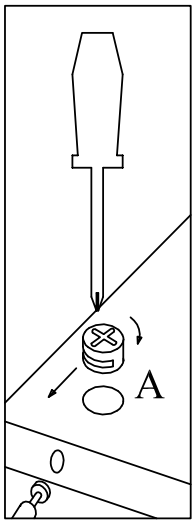
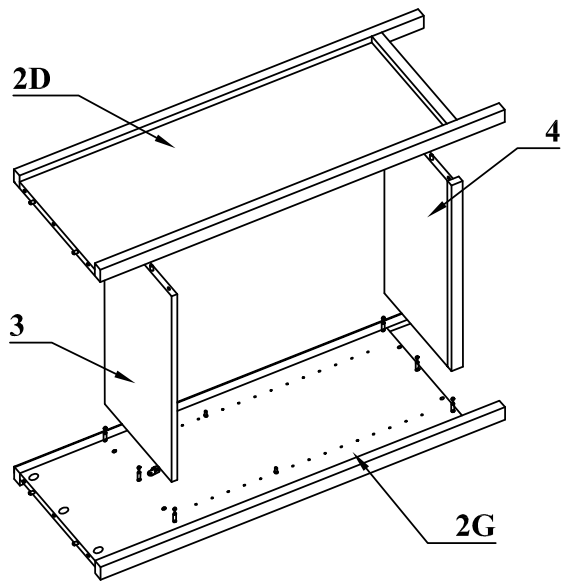
WARDROBE "MARIE"



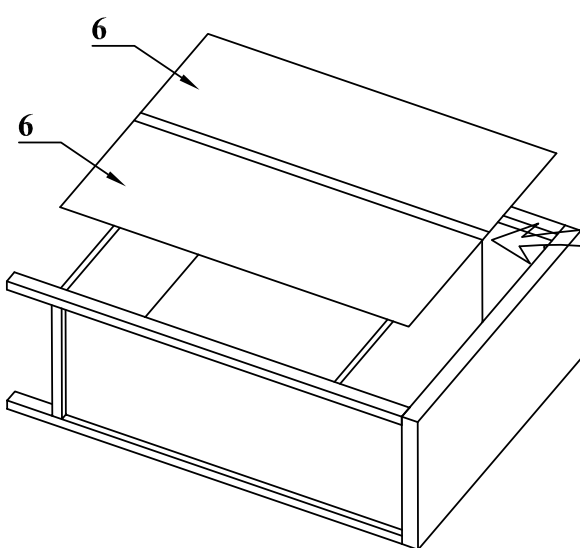
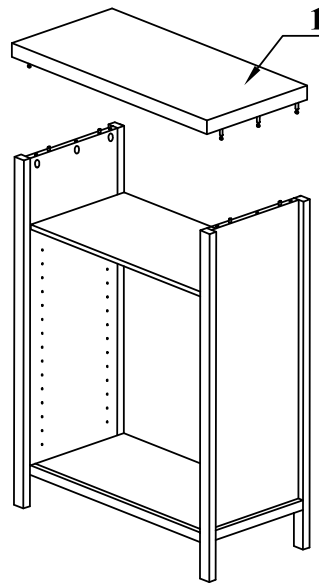




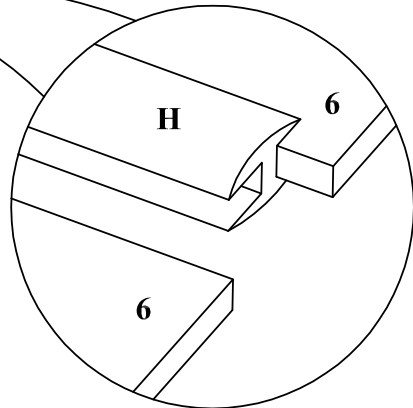
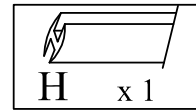
6



7

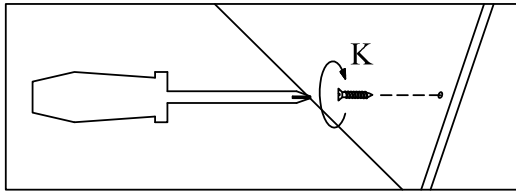
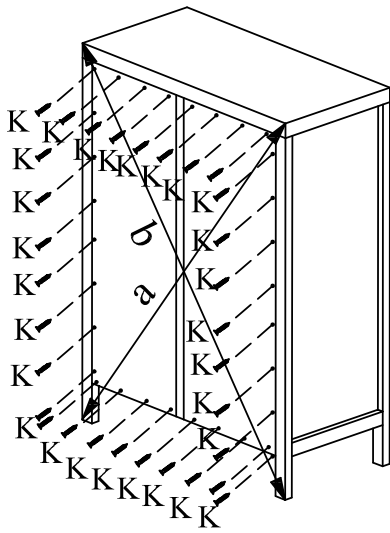


8

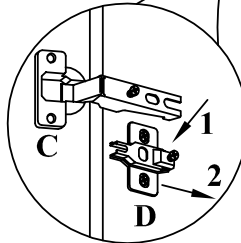
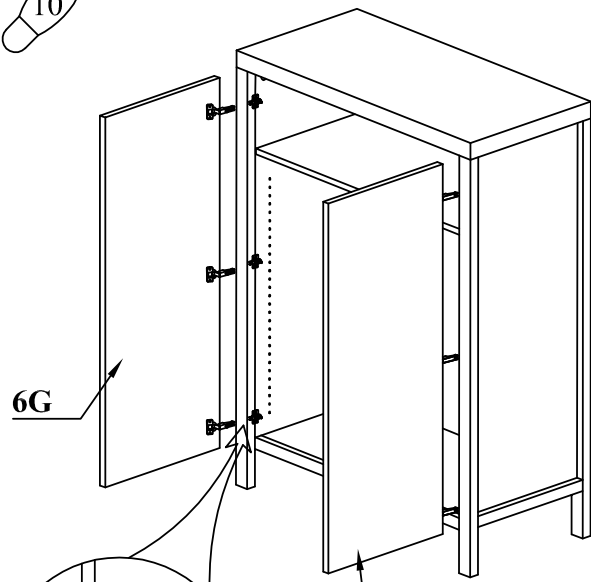


9

a=b



10



11

